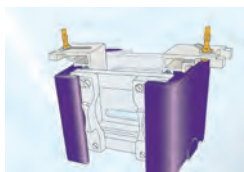
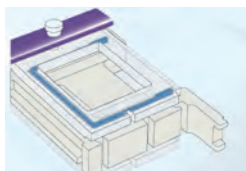


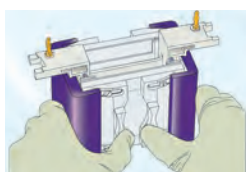
Casting Advantages



Page insert employed for both gel casting and running, which, unlike the leading brand, eliminates time-consuming transfer of potentially fragile glass plates between separate casting and running modules.



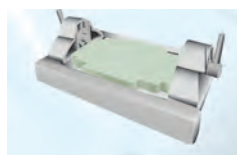
Flat, ultra-soft moulded gasket acts in tandem with a unique single piece pressure clamping frame to facilitate even pressure distribution to minimise gel compression; gasket reversible for Bio-Rad compatibility.



Unique sliding-clamp technology within PAGE insert allows rapid set up of handcast and precast gels; may be converted to single screw option if required.



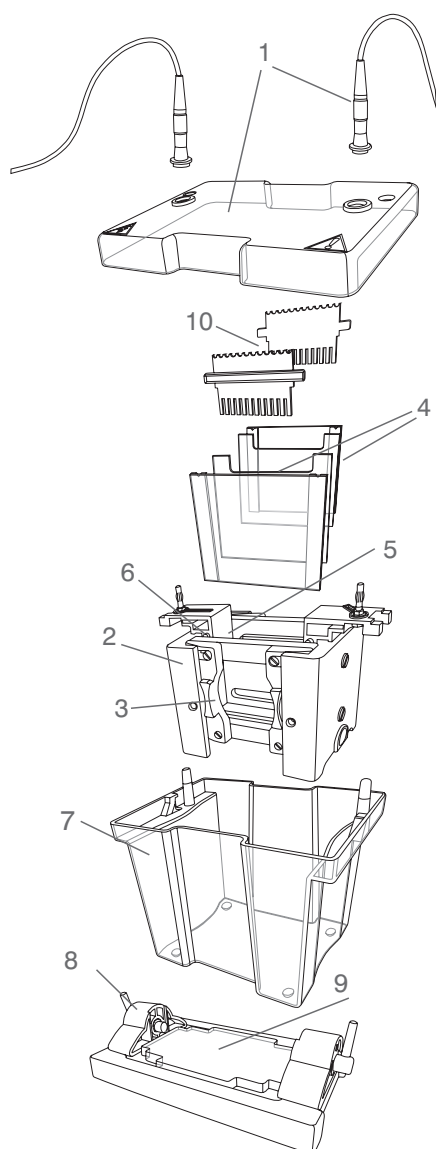
Gel release tool quickly releases glass plates from PAGE insert



Very forgiving ultra-soft gasket within caster compensates for plate misalignment to prevent leakage.



Spacers - colour coded with compatible comb thickness - are bonded to 2mm thick ground glass plates to guarantee correct alignment and leak free casting, whereas notched glass plates with bonded spacer option, included with the CVS10TETRAD, doubles gel capacity of the PAGE insert; optional dummy plate allows for single gels to be run.



omniPAGE mini component parts

- | |
|---------------------------|
| 1. Lid and power cables |
| 2. PAGE insert |
| 3. Sliding clamps |
| 4. Glass plates |
| 5. Inner buffer chamber |
| 6. Gasket |
| 7. Outer tank |
| 8. Cam-pin caster |
| 9. Ultra-soft casting mat |
| 10. Combs |